

DP 1704 **NEW** ..... 176

DP Series ..... 177

DE Series ..... 178

DX Series ..... 179

DUX Series ..... 180

D7790 Series..... 181

DD Series..... 182

DPN Series ..... 183

DBE Series..... 184

Shorting and Open Caps ..... 185

Photocontrol Accessories ..... 186

Photocontrol Recommendation Chart ..... 186

ANSI Color Chart..... 186



# DP 1704 *Utility Premium*

## Electronic Locking Type Photocontrol



### ORDERING INFORMATION

**NEW**



### Features:

- Special components provide superior reliability for large wattage fixtures or other applications that overheat or damage ordinary photocontrols
- Silicon photocell provides long-term drift-free light sensing at elevated temperatures
- Heat stabilized polymers are used in the base, enabling the control to withstand the high temperatures found on 400 and 1,000 watt HID floodlights
- ANSI standard 1.5 footcandle turn on
- Fast delivery from stock
- Eight-year warranty
- Brown cover for identification
- Multi-volt, 120/208/240/277 VAC
- MOV surge protection, 320 Joule, 10,000 AMP
- "Best of Everything" control

### Applications:

Roadway and area lighting

### PREFERRED SELECTION CATALOG NUMBERS

**DP124-1.5-1704 J50**

### Ordering Information

Voltage
---------

**DP124** 120/208/240/277 Volts  
(105-305)

Turn-on Level (ftc) <sup>1</sup>
----------------------------------

**1.5** ANSI Standard

Premium
---------

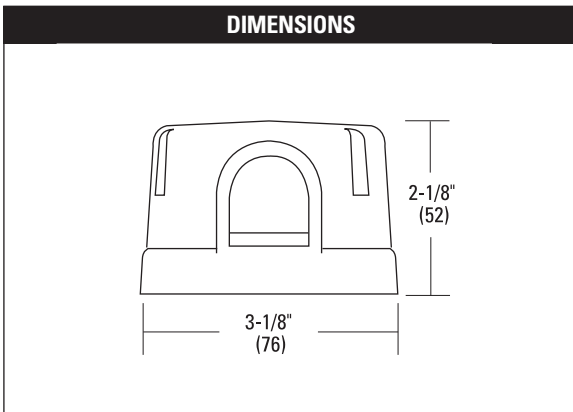
**1704**

Job Packs
-----------

**J50** 50 Units

**Example:** DP124-1.5-1704 J50

### DIMENSIONS



### Notes:

- 1 Other options available, please contact your local American Electric Lighting representative

**ORDERING INFORMATION**



**Features:**

- Silicon light sensor
- Complies with ANSI C136.10-1996
- MOV surge protection
- Long life
- Energy efficient
- Six-year warranty
- Available in job packs of J12 or J50 only
- Heat stabilized polymers are used in the base, enabling the control to withstand the high temperatures found on 400 and 1,000 watt HID floodlights and other fixtures

**Applications:**

- Roadway and area lighting
- Floodlights
- Areas with very high temperatures (DP Series High Temp/Floodlight)

Inverse ratio (DPR) and fail off (DPF) options available

**Inverse Ratio Controls** are ideal for areas where it is important to turn on lights early but energy costs are a concern. Turn-off level is lower than turn-on levels. Model listed, **DPR124-2.6-TJBK J50**, is most commonly ordered. Various other models available. Contact your local American Electric Lighting representative for details and specifications.

**Fail Off Controls** are occasionally used for leased lighting. Model **DPF124-1.5-TJ J50** is most commonly ordered. Various other models available. Contact your local American Electric Lighting representative for details and specifications.

**PREFERRED SELECTION CATALOG NUMBERS**

- DP124-1.5-TJ J50**
- DP120-1.5-TJ J50**
- DP124-1.5-TJBK J50**

**Ordering Information**

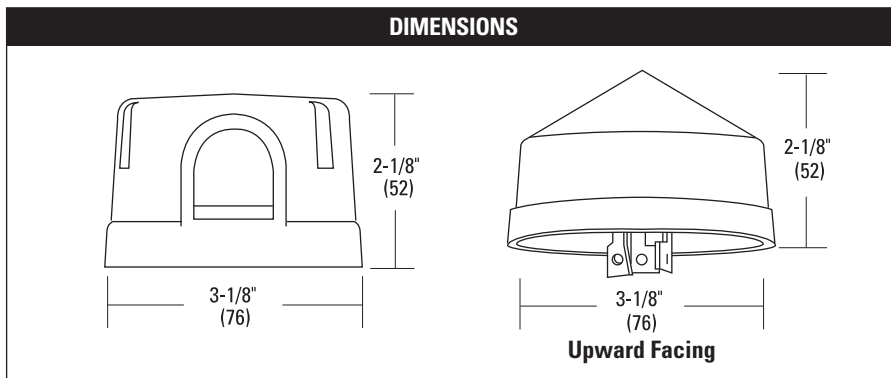
**Example: DP120-1.5-TJBK J50**

Voltage		Turn-on Level (ftc) <sup>1</sup>		Time Delay (seconds) <sup>1</sup>		Surge Protector		Cover Color <sup>1</sup>	
<b>DP120</b>	120 Volts (105-130)	<b>1.0</b>	Energy Saver	<b>T</b>	2-5 Second Turn-off Delay	<b>J</b>	320 J/10,000 Amp MOV	(blank)	ANSI Standard Color*
<b>DP124</b>	120/240/277 Volts (105-305)	<b>1.5</b>	ANSI Standard					<b>BK</b>	Black
		<b>2.6</b>	IES Recommendation					<b>BR</b>	Brown
<b>DP240</b>	240 Volts (185-305)	<b>8.0</b>	Automile (High Ambient Light)					<b>P</b>	Upward Facing
<b>DP347</b>	347 Volts (300-400)	<b>35</b>	FAA						
<b>DP480</b>	480 Volts (420-530)								
<b>DPR124</b>	Multi-volt Inverse ratio								
<b>DPF124</b>	Multi-volt Fail Off								

\* See chart page 186

Job Packs	
<b>J12</b>	12 Units
<b>J50</b>	50 Unit

**DIMENSIONS**



Notes:  
1 Other options available, please contact your local American Electric Lighting representative



**ORDERING INFORMATION**



**Features:**

- Silicon light sensor
- Complies with ANSI C136.10-1996
- MOV surge protection
- Long life
- Energy efficient
- Economical
- Six-year warranty
- Available in job packs of J12 or J50 only
- Standard 160 joule, 6500 amp MOV rated for multiple surges
- Polypropylene cover, Neoprene gasket, brass legs, acrylic window base rated for 120°C
- Power consumption: 0.5 watts
- Load rating: 1000 watts, 1800 VA ballast
- Sealed relay rated for 5000 operations at full load
- 3.4 ounces each
- 40 to +70°C ambient, Up to 90° interface per ANSI
- Dielectric strength: 5000 V per ANSI

**Applications:**

- Roadway and area lighting
- Security lighting
- Municipal lighting

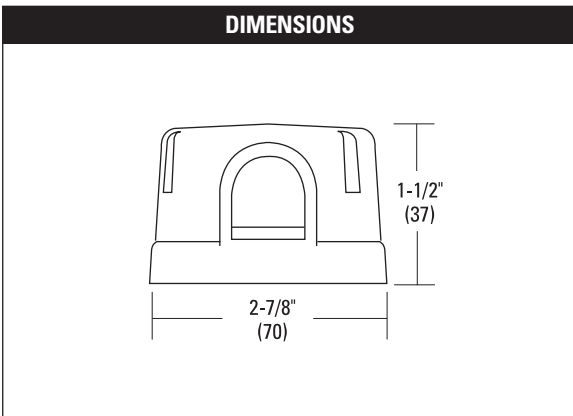
PREFERRED SELECTION CATALOG NUMBERS
<b>DX124-12A J50</b>
<b>DX124-12A J12</b>

**Ordering Information**

**Example: D X 1 2 4 - 1 2 A J 5 0**

Voltage		Turn-on Level (ftc)		Sensor		Cover Color		Job Packs	
<b>DX120</b>	120 Volts (105–130)	<b>1</b>	1.2–3 ftc Turn-on (standard)	<b>2</b>	Silicon Sensor, Time Delay (2-5 seconds)	<b>A</b>	ANSI Standard*	<b>J12</b>	12 Units
<b>DX124</b>	120/240/277 Volts (105–305)								
<b>DX347</b>	347 Volts (300–400)								
<b>DX480</b>	480 Volts (420–530)								

\* See chart page 186



# DUX Series

## Locking Type Photocontrol – UL Listed



### ORDERING INFORMATION



#### Features:

- Silicon light sensor
- Complies with ANSI C136.10-1996
- MOV surge protection
- Long life
- Energy efficient
- Economical
- Six-year warranty
- Available in job packs of J12 or J50 only
- Standard 160 joule, 6500 amp MOV rated for multiple surges
- Polypropylene cover, neoprene gasket, brass legs, acrylic window base rated for 120°C
- Power consumption: 0.5 watts
- Load rating: 1000 watts, 1800 VA ballast
- Sealed relay rated for 5000 operations at full load
- 3.4 ounces each
- 40 to +70°C ambient, up to 90° interface per ANSI
- Dielectric strength: 5000 V per ANSI
- UL listed is standard

#### Applications:

- Area lighting
- Security lighting
- Yard lighting

#### PREFERRED SELECTION CATALOG NUMBERS

**DUX124-12A J50**  
**DUX124-12A J12**

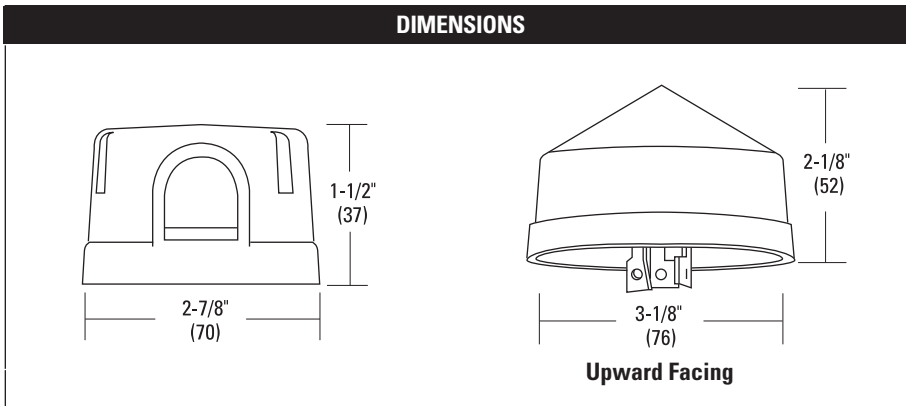
#### Ordering Information

**Example: D U X 1 2 4 - 1 2 A J 5 0**

Voltage		Turn-on Level (ftc)		Sensor		Cover Color		Job Packs	
<b>DUX120</b>	120 Volts (105–130)	<b>1</b>	1.2–3 ftc Turn-on (standard)	<b>2</b>	Silicon Sensor, Time Delay (2-5 seconds)	<b>A</b>	ANSI Standard*	<b>J12</b>	12 Units
<b>DUX124</b>	120/240/277 Volts (105–305)					<b>P</b>	Upward Facing	<b>J50</b>	50 Units
<b>DUX480</b>	480 Volts (420–530)								

\* See chart page 186

#### DIMENSIONS



**ORDERING INFORMATION**



**Applications:**

Replacement for many industry standard locking type photocontrols

**PREFERRED SELECTION CATALOG NUMBERS**

**D7790 J50**

**Features:**

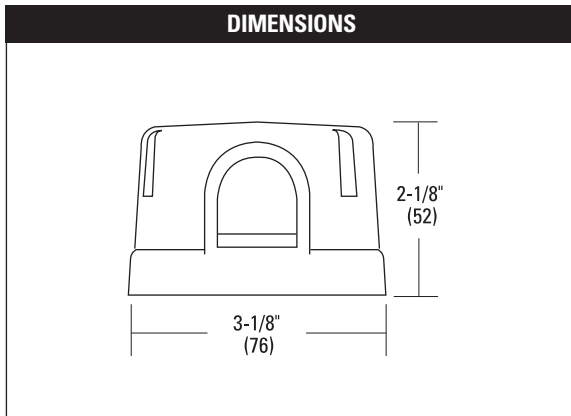
- Silicon light sensor
- Complies with ANSI C136.10-1996
- Two-year warranty
- Standard 190 joule, 4500 amp MOV
- Polypropylene cover, Neoprene gasket, brass legs, acrylic window
- Base rated for 120°C
- Power consumption: 0.5 watts
- At 120 VAC Load rating: 1000 watts, 1800 VA ballast
- Sealed relay rated for 5000 operations at full load
- Instant turn on, 2-5 second turn off
- Turn on is  $1.5 \pm 0.5$  ftc, turn off is 1.5 times turn on
- 3.4 ounces each
- Available in job packs of J12 or J50 only
- 40 to +70°C ambient, Up to 90° interface per ANSI
- Dielectric strength: 5000 V per ANSI
- D7790 is a replacement for many industry standard type locking photocontrols
- Sealed in individual poly bags

**Ordering Information**

**Example: D 7 7 9 0 J 5 0**

Voltage	Job Pack
<b>D7790</b> 120/208/240/277 VAC	<b>J12</b> 12 Units <b>J50</b> 50 Units

**DIMENSIONS**



# DD Series *Diagnostics*

## Electronic Locking Type Photocontrol



### ORDERING INFORMATION



#### Features:

- Regular dusk to dawn operation
- Diagnostic feature detects and disables cycling HPS lamps and lamps that fail to start
- Extends starting aids life
- Flashing or steady LED alerts line crew of problem
- Filtered silicon light sensor
- 2-5 second off delay
- MOV surge protection
- Complies with ANSI C136.10-1996; not for use on incandescent fixtures
- Six-year warranty
- Available in job packs of J12 or J50 only
- Polypropylene cover, neoprene gasket, brass legs, acrylic window base rated for 120°C
- Power consumption: 1.0 watts
- Load rating: 70-400 watt HPS
- Sealed relay rated for 5000 operations at full load
- 3.8 ounces each
- 40 to +70°C ambient, Up to 90° interface per ANSI
- Dielectric strength: 5000 V per ANSI

#### Applications:

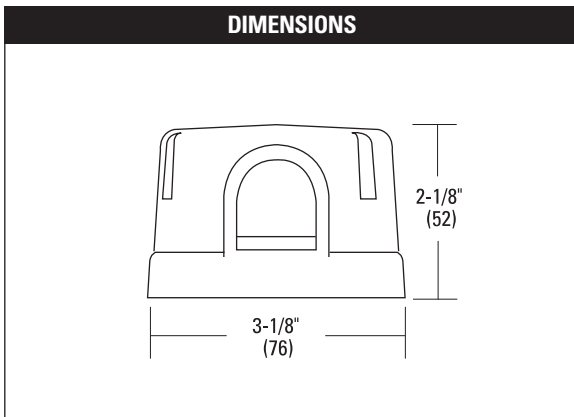
- Roadway and area lighting
- High profile installations
- Anywhere cycling lamps are a problem
- Anywhere starting aid life is a problem

#### Ordering Information

Voltage		Turn-on Level (ftc)		Time Delay (seconds)		Cycle Detection <sup>1</sup>		Job Packs	
<b>DD124</b>	120/208/240/277 Volts (105-305)	<b>1.5</b>	ANSI Standard	<b>T</b>	2-5 Second Turn-off Delay (standard)	<b>A</b>	After Five Lamp Cycles, Control Turns Lamp Off. Next Dusk, Control Turns Lamp On and Cycle Detection Circuit Restarts	<b>J12</b>	12 Units
								<b>J50</b>	50 Units
						<b>Surge Protector</b>			
						<b>J</b>	320J/10,000 Amp MOV		

**Example: D D 1 2 4 - 1 . 5 - T J A J 5 0**

#### DIMENSIONS



#### Notes:

- 1 Available with black cover only
- 2 Cycle Detection Program is set at factory; program cannot be altered in field

**ORDERING INFORMATION**



**Applications:**

- Parking lots
- Area lights
- Park lights
- Media lighting
- Ball fields and courts
- Pedestrian lighting

**Features:**

- Control turns on at dusk and off halfway through the night. Automatically self-adjusts to seasonal time changes, reducing maintenance
- Reduces light pollution and light trespass concerns
- Filtered silicon photocell provides long-term, drift-free light sensing. The infrared blocking polymer filter gives human eye response.
- A 2-5 second off-time delay is provided to avoid turn-off from extraneous light.
- Complies with ANSI C136.10-1996
- Six-year warranty
- Energy Savings
- Available in job packs of J12 or J50 only
- Polypropylene cover, neoprene gasket, brass legs, acrylic window base rated for 120°C
- Power consumption: 0.8 watts
- Load rating: 1000 watts, 1800 VA ballast
- Sealed relay rated for 5000 operations at full load
- Turn OFF is at middle of the night.
- 3.6 ounces each
- 40 to +70°C ambient, Up to 90° interface per ANSI
- Dielectric strength: 5000 V per ANSI

**Ordering Information**

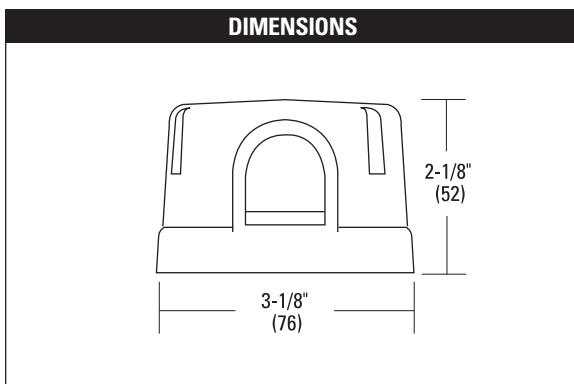
Voltage		Turn-on Level (ftc) <sup>1</sup>		Time Delay (seconds)		Cover Color		Job Packs	
<b>DPN124</b>	120/240/277 Volts (105-305)	<b>1.5</b>	ANSI Standard	<b>T</b>	2-5 Second Turn-off Delay (standard)	<b>GN</b>	Green (only)	<b>J12</b>	12 Units
		<b>2.6</b>	Standard					<b>J50</b>	50 Units

Surge Protector	
<b>J</b>	320 J/10,000 Amp MOV

**Example: DPN124-2.6-TJGNJ50**

**DIMENSIONS**



**Notes:**

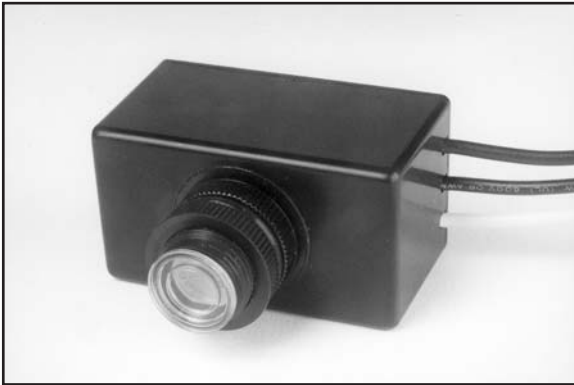
- 1 Other options available, please contact your local American Electric Lighting representative

# DBE Series *Button*

## Electronic Wire-In Photocontrol



### ORDERING INFORMATION



#### Features:

- Electronic wire-in button photocontrol
- Instant turn-on, standard 5-10 second turn-off time delay
- Filtered Silicon light sensor
- UL listed models available
- Filtered silicon light sensor
- Voltages 120–347
- Complies with ANSI C136.24
- Long life
- Low maintenance
- Six-year warranty
- Available in job packs of J12 only
- 190 Joule MOV surge protection
- 12", 200°C, #16 wire leads

#### Applications:

- Park lighting
- Security lighting
- Post lanterns
- Decorative and area lighting

#### PREFERRED SELECTION CATALOG NUMBERS

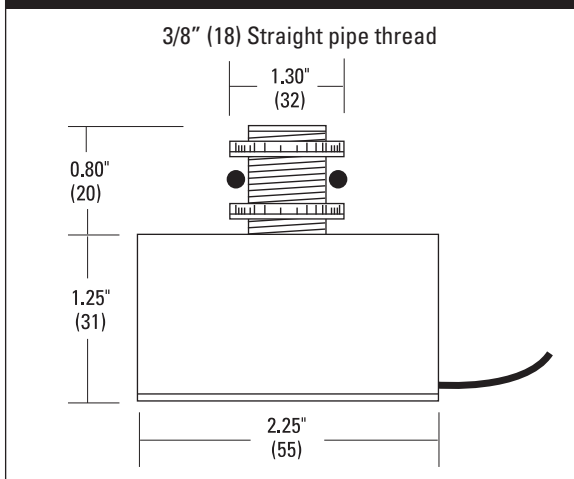
**DBE124-1.5-T J12**  
**DBE120-1.5-T J12**

#### Ordering Information

**Example: D B E 1 2 0 1 . 5 - T J 1 2**

Voltage		Turn-on Level (ftc)		Time Delay (seconds)		Certification		Job Pack	
<b>DBE120</b>	120 Volts (105–130)	<b>1.5</b>	ANSI Standard	<b>T</b>	5-10 Second Turn-off Delay (standard)	(blank)	No Listing	<b>J12</b>	12 Units
<b>DBE240</b>	208/240/277 Volts (200–305)					<b>U</b>	CSA and UL Listed		
<b>DBE347</b>	347 Volts (300–400)								
<b>DBE124</b>	120/240/277 Volts (105–305)								

#### DIMENSIONS



**ORDERING INFORMATION**



**SHORTING AND OPEN CAPS**

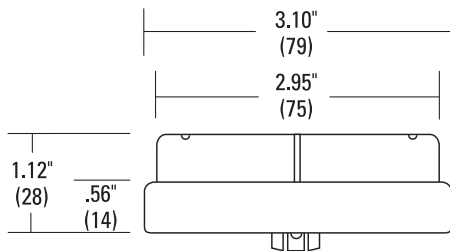
For luminaires where lights are to be on continuously (shorting cap) or left off (open cap). Exceeds ANSI C136.10-1996.

Description	Catalog Number
Shorting cap. Black Cover	<b>D-SHORT-SBK</b>
Shorting cap 320J. MOV surge protection. Black cover.	<b>D-SHORT-VBK</b>
Open cap. Red cover.	<b>D-OPEN-SRD</b>


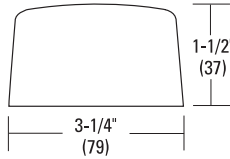

**PREFERRED SELECTION CATALOG NUMBERS**

- D-SHORT-SBK J12**
- D-SHORT-VBK J12**
- D-OPEN-SRD J50**

**DIMENSIONS**



## ACCESSORIES

Catalog Number		Description	
<b>DUR-103</b>		<b>PHOTOCONTROL RECEPTACLES</b> Mounting adapter for connecting photocontrol to net. For pole, wall and frame mounting. 14" x 14" gage wire. Line = black, Load = red, Neutral = white. Each receptacle meets NEMA and ANSI standards. With bracket and rotating cup with locknut	<b>PREFERRED SELECTION CATALOG NUMBER</b> <b>DUR-103 J6</b>
<b>D-TESTCAP</b>		<b>PHOTOCONTROL TESTCAP</b> Lightweight black vinyl cap tests the working operation of photocontrols during daylight hours. Completely eliminates direct and reflected light, enabling quick and easy testing. Not designed for use with hot sticks. Affordably priced.	<b>PREFERRED SELECTION CATALOG NUMBER</b> <b>D-TESTCAP J50</b>
<b>D-DEMO BOX</b>		<b>PHOTOCONTROL DEMO BOX</b> Portable 120 volt test box. Dimensions: 5½ x 3 x 2½ inches.	

## Photocontrol Recommendation Chart

DTL SERIES	Type	Voltages Available	Light Sensor	Surge Protection	Application	Typical Electronic
<b>DP</b>	Locking	120 thru 480	Silicon	MOV, 320 Joule	Roadway	Yes
<b>DE</b>	Locking	120 thru 480	Filtered Silicon	MOV, 320 Joule	Roadway	Yes
<b>DX</b>	Locking	120 thru 480	Silicon	MOV, 320 Joule	C&I + Roadway	Yes
<b>DUX</b>	Locking, UL listed	120 thru 480	Silicon	MOV, 320 Joule	Where UL is needed	Yes
<b>DPN</b>	Locking, Part Night	120-277	Silicon	MOV, 160 Joule	Off-Roadway	Yes
<b>DD</b>	Locking, Diagnostic	120-277	Silicon	MOV, 160 Joule	Roadway	Yes
<b>DBE</b>	Button	120 and 208-277	Filtered Silicon	MOV, 190 Joule	Utility post top	Yes
<b>D7790</b>	Locking	120 thru 347	Silicon	MOV, 190 Joule	Roadway or export	Yes
<b>DPF</b>	Locking, Fail OFF	120-277	Silicon	MOV, 320 Joule	Off-Roadway	Yes
<b>DPR</b>	Locking, Inverse Ratio	120-277	Silicon	MOV, 320 Joule	Roadway	Yes
<b>DPO</b>	Locking, Reverse	120-277	Silicon	MOV, 320 Joule	OFF night, ON day	Yes

## ANSI Color Chart

ANSI Color Codes	
<b>120V</b>	Gray
<b>240V</b>	Maroon
<b>Multivolt</b>	Dark Blue
<b>350V</b>	Green
<b>480V</b>	Yellow