

## SECURITY LIGHTING

NEMA Head Series 11 .....	108
NEMA Head Package Series 11 PKG .....	110
Series 11 "L" Package.....	112
Dusk To Dawn Series DTD .....	114
Series 165 .....	116
Accessories .....	118
Ballast Matrices .....	119



# NEMA Head Series 11

## Security Lighting

50-250W HPS, 100-175W MH



Consistent with LEED® goals & Green Globes™ criteria for light pollution reduction

### PRODUCT OVERVIEW



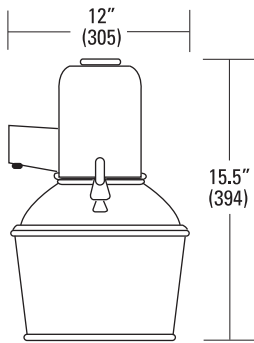
### Features:

- Die-cast aluminum head meets NEMA dimension standards
- For quick easy installation of mast arm, a cast-in external slipfitter is used for a secure mounting
- Available in a variety of IES light distribution patterns, including full cutoff
- Tools are not required to install reflector and refractor
- Tool-less adjustable photocontrol mount
- Available for arm size 1-1/4" (standard) and 2" fitter
- Open bottom acrylic, polycarbonate, or glass
- All electrical components warranted by American Electric Lighting's 6-year guarantee
- Suitable for -30°C MH / -40°C HPS
- Complies with ANSI: C136.2, C136.6, C136.10

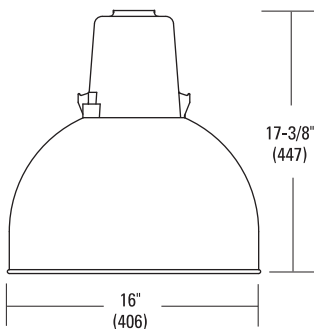
### Applications:

- Security areas
- Storage yards
- Loading areas
- Receiving areas

### DIMENSIONS



Approx. Wt. = 16 lbs.



Approx. Wt. = 16 lbs.

### PREFERRED SELECTION CATALOG NUMBERS

- 11 10S RN 120 R5 BA SW5
- 11 10S RN 120 RO LO
- 11 15S RN 120 R5 BA SW5
- 11 15S RN 120 RO LO
- 11 10M XN 120 R5 BA MDO



Vented Bottom Acrylic (VBA)



Full Cutoff (FC)

# NEMA Head *Series 11*

**Security Lighting**  
50-250W HPS, 100-175W MH

## ORDERING INFORMATION

**Example:** 11 10S RN 120 R5 BA

Series	Wattage / Source		Ballast	Voltage	Distribution
<b>11</b> NEMA Head	<b>05</b> 50W	<b>S</b> HPS	<b>RN</b> Reactor Normal Power Factor	<b>120</b> 120V	<b>R2</b> Type II
	<b>07</b> 70W	<b>M</b> MH	<b>XN</b> High Reactance / Lag Normal Power Factor	<b>208</b> 208V	<b>R3</b> Type III
	<b>10</b> 100W		<b>CA</b> CWA, Auto Reg.	<b>240</b> 240V	<b>R5</b> Type V
	<b>15</b> 150W			<b>277</b> 277V	<b>RO</b> No Optics (not for MH)
	<b>17</b> 175W			<b>MT1</b> 120V Multi-tap	
	<b>25</b> 250W			<b>MT2</b> 240V Multi-tap	
				<b>MT7</b> 277V Multi-tap	

Refer to the ballast matrix on page 119 for compatibility.

Options
---------

Optics
--------

- LO** Less Optics
- BA** Open Bottom Acrylic<sup>6</sup>
- BP** Open Bottom Polycarbonate
- FC** Full Cutoff<sup>1,7,8</sup>
- BG** Open Bottom Glass<sup>6</sup>
- VBA** Vented Bottom Acrylic (required for mogul base MH lamp only)

<u>Mast Arm</u> <sup>2</sup>	<u>Fitter Size</u>
<b>M4</b> 24" Arm	(blank) 1-1/4" Fitter
<b>M3</b> 30" Arm	<b>H2</b> 2" Fitter set for 1-1/4"
<u>Photocontrol Receptacle</u>	<u>Lamp</u>
(blank) Standard	<b>LC</b> Lamp Included, Clear
<b>NR</b> No Photocontrol Receptacle <sup>3</sup>	<b>LD</b> Lamp Included, Deluxe/Coated
<u>Supply Wire</u> <sup>4</sup>	<u>Misc.</u>
<b>SW5</b> Pre-wire 5'	<b>PC</b> Photocontrol Included per Voltage Specified
<b>PW5</b> Wired to Terminal Block 5' (For more options see page 118)	<b>NL</b> NEMA Label
<u>Starter</u> <sup>5</sup>	<b>LA</b> Lightning Arrestor
(blank) Open Board Standard	<b>SH</b> Shorting Cap <sup>5</sup>
<b>EC</b> Encapsulated Starter	<b>MDO</b> Medium Base Socket, Open Rated (100W and 150W MH only) <sup>7</sup>

**Notes:**

- 1 Available in R5 distribution only
- 2 Available in 1 1/4" aluminum pipe only
- 3 Not available with PC or DPC option
- 4 Standard with #14 copper solid, black-white, THHN
- 5 HPS only
- 6 MH version requires open rated socket (MDO)
- 7 Requires open rated lamp
- 8 Nighttime Friendly™ optic

# NEMA Head Package Series 11 PKG

## Security Lighting

50-250W HPS, 100-175W MH



Consistent with LEED® goals & Green Globes™ criteria for light pollution reduction

### PRODUCT OVERVIEW



#### Features:

- Die-cast aluminum head meets NEMA dimension standards
- For quick easy installation of mast arm, a cast-in external slipfitter is used for a secure mounting
- Available in a variety of IES light distributions patterns including full cutoff
- Tools are not required to install reflector and refractor
- Includes 24", 1-1/4" diameter mast arm with welded brackets, lamp, photocontrol, 5' of supply wire, and hardware
- All electrical components warranted by American Electric Lighting's 6-year guarantee
- All components in single carton
- Open bottom acrylic, polycarbonate, or glass
- Suitable for -30°C MH / -40°C HPS
- Complies with ANSI: C136.2, C136.6, C136.10

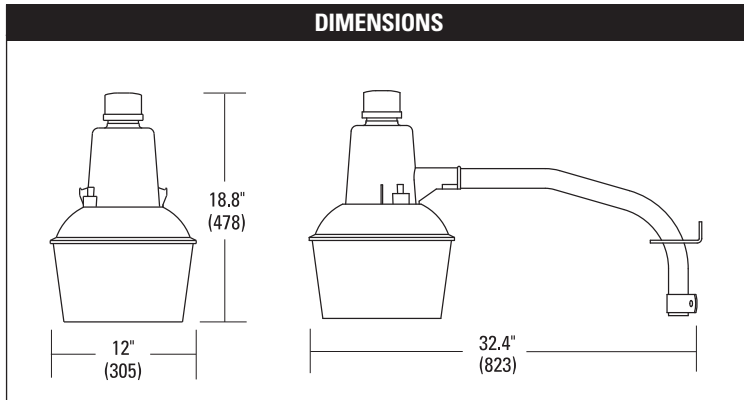
#### Applications:

- Security areas
- Storage yards
- Loading areas
- Receiving areas

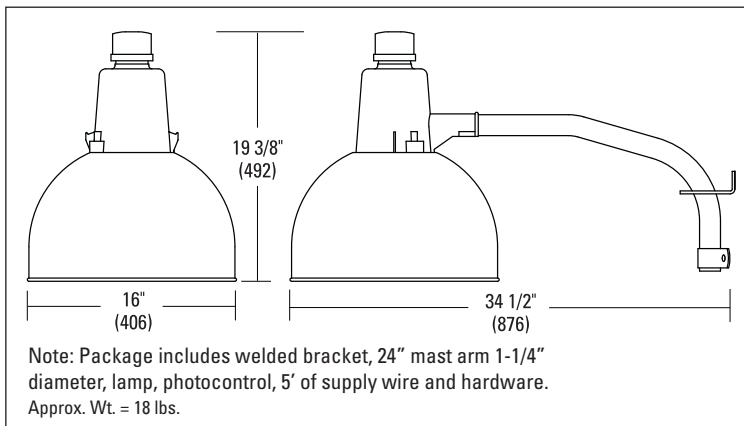
#### PREFERRED SELECTION CATALOG NUMBERS

- 11PKG 10S RN 120 R5 BA EC
- 11PKG 15S RN 120 R5 BA EC
- 11PKG 10M XN 120 R5 BA MDO

#### DIMENSIONS



Vented Bottom Acrylic (VBA)



Full Cutoff (FC)

# NEMA Head Package *Series 11 PKG*

## Security Lighting

50-250W HPS, 100-175W MH

### ORDERING INFORMATION

Example: 11 PKG 15 S RN 120 R5 BA EC

Series	Wattage / Source	Ballast	Voltage	Distribution	Optics	
<b>11PKG</b> NEMA Head Package	<b>05</b> 50W <b>07</b> 70W <b>10</b> 100W <b>15</b> 150W <b>17</b> 175W <b>25</b> 250W  Refer to the ballast matrix on page 119 for compatibility.	<b>S</b> HPS <b>M</b> MH	<b>CA</b> CWA, Auto Reg. <sup>1</sup> <b>RN</b> Reactor/Normal Power Factor <b>XN</b> High Reactance/Lag Normal Power Factor	<b>120</b> 120V <b>208</b> 208V <b>240</b> 240V <b>277</b> 277V <b>MT1</b> 120V Multi-tap <b>MT8</b> 208V Multi-tap <b>MT2</b> 240V Multi-tap <b>MT7</b> 277V Multi-tap	<b>R2</b> Type II <b>R3</b> Type III <b>R5</b> Type V	<b>BA</b> Open Bottom Acrylic <sup>3</sup> <b>BP</b> Open Bottom Polycarbonate <b>FC</b> Full Cutoff <sup>2,3,6</sup> <b>BG</b> Open Bottom Glass <b>VBA</b> Vented Bottom Acrylic (required for MH)

Options
---------

Photocontrol (per voltage specified)  
 (blank) Photocontrol (standard)

Starter<sup>4</sup>  
 (blank) Open Board (standard)  
**EC** Encapsulated Starter

Lamp  
 (blank) Lamp Included, Clear  
**LD** Lamp Included, Deluxe/Coated

Misc.  
**NL** NEMA Label  
**MDO** Medium Base Socket, Open Rated (100W and 150W MH only)<sup>5</sup>

Notes:

- 1 Available in 175W MH only
- 2 Available in R5 distribution only
- 3 MH version requires open rated lamp
- 4 Available in HPS only
- 5 Open rated lamp supplied
- 6 Nighttime Friendly™ optic

# Series 11 "L" Package

## Security Lighting

50-150W HPS

### PRODUCT OVERVIEW



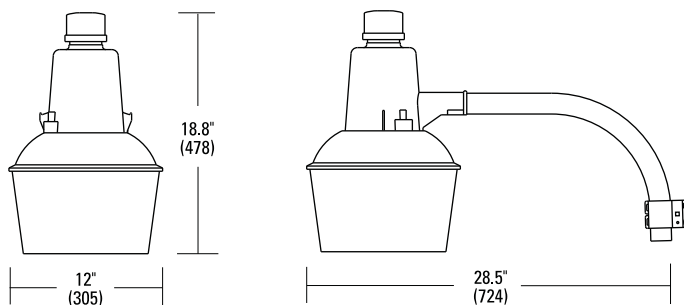
#### Features:

- Die-cast aluminum head meets NEMA dimension standards
- For quick easy installation of mast arm, a cast-in external slipfitter is used for a secure mounting
- Includes 18" mast arm, lamp, photocontrol, pre-wire, and hardware
- All components in single carton
- Open bottom acrylic
- Suitable for -30°C MH / -40°C HPS
- Complies with ANSI: C136.2, C136.6, C136.10
- UL Listed for wet locations

#### Applications:

- Rural areas
- Area lighting
- Small businesses

#### DIMENSIONS



Note: Package includes 18" mast arm, lamp, photocontrol, pre-wire, and hardware.  
Approx. Wt. = 18 lbs.

#### PREFERRED SELECTION CATALOG NUMBERS

11L 10S RN 120 R5 BA  
11L 15S RN 120 R5 BA

# Series 11 "L" Package

## Security Lighting

50-150W HPS

### ORDERING INFORMATION

Example: 11L 15S XN 120 R5 BA

Series	Wattage / Source	Ballast	Voltage	Distribution	Optics
<b>11L</b> Security Package	<b>05</b> 50W <b>07</b> 70W <b>10</b> 100W <b>15</b> 150W  Refer to the ballast matrix on page 119 for compatibility.	<b>S</b> HPS  <b>RN</b> Reactor Normal Power Factor <b>XN</b> High Reactance / Lag Normal Power Factor	<b>120</b> 120V <b>208</b> 208V <b>240</b> 240V <b>277</b> 277V <b>MT1</b> 120V Multi-tap <b>MT2</b> 240V Multi-tap <b>MT7</b> 277V Multi-tap	<b>R5</b> Type V	<b>BA</b> Open Bottom Acrylic

Options
---------

Photocontrol (per voltage specified)  
(blank) Photocontrol (standard)

Mast Arm

**WA** Welded Arm (24" mast arm)<sup>1</sup>

Listing

(blank) UL Listed (standard)  
**CS** CSA Certified

Notes:

1 Available in 1-1/4" aluminum pipe only

Package includes 18" mast arm, lamp, photocontrol, pre-wire and hardware

# Dusk to Dawn Series DTD

## Security Lighting

150-400W HPS, 175-400W MH

### PRODUCT OVERVIEW



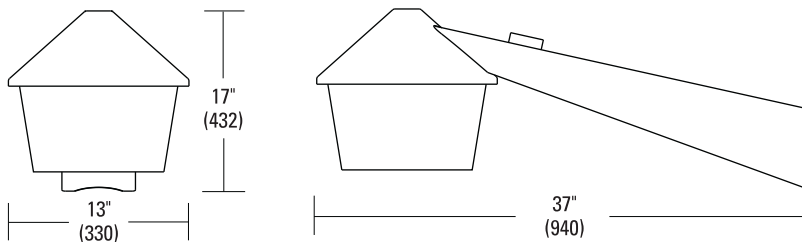
#### Features:

- Ballast is completely enclosed in arm, but is readily accessible
- All components in single carton
- Refractor available in open bottom acrylic, or polycarbonate
- All electrical components warranted by American Electric Lighting's 6-year guarantee
- Suitable for -30°C MH & / -40°C HPS
- Complies with ANSI: C136.2, C136.10

#### Applications:

- Rural areas
- Small businesses
- Storage lots

#### DIMENSIONS



Approx. Wt. = 23 lbs.

#### PREFERRED SELECTION CATALOG NUMBERS

DTD 15S RH 120 R5 BA CS LC PC NL  
DTD 25S XN 120 R5 BA CS LC PC

# Dusk to Dawn Series DTD

## Security Lighting

150-400W HPS, 175-400W MH

### ORDERING INFORMATION

Example: DTD 15S RH 120 R5 BA

Series	Wattage / Source	Ballast	Voltage	Distribution	Optics
<b>DTD</b> Dusk to Dawn	<b>15</b> 150W <b>S</b> HPS <b>17</b> 175W <b>M</b> MH <sup>1</sup> <b>25</b> 250W <b>40</b> 400W Refer to the ballast matrix on page 119 for compatibility.	<b>RN</b> Reactor Normal Power Factor <b>RH</b> Reactor High Power Factor <b>CA</b> CWA Auto Reg <b>CT</b> CWI <b>XN</b> High Reactance (Lag) Normal Power Factor <b>XH</b> High Reactance (Lag) High Power Factor	<b>120</b> 120V <b>240</b> 240V <b>277</b> 277V <b>347</b> 347V <b>480</b> 480V <b>MT1</b> Multi-tap Wired 120V <b>MT2</b> Multi-tap Wired 240V <b>MT7</b> Multi-tap Wired 277V <b>TT3</b> Tri-tap Wired 347V	<b>R5</b> Type V	<b>BA</b> Open Bottom Acrylic

Options
---------

Standard Listing

(blank) No Listing  
**CS** CSA Certified

Photocontrol

**NR** No Photocontrol Receptacle<sup>2</sup>

Lamp

**LC** Lamp Included, Clear  
**LD** Lamp Included, Deluxe/Coated

Misc

**PC** Photocontrol Included per Voltage Specified  
**NL** NEMA Label  
**SH** Shorting Cap

Notes:

- 1 Requires open rated lamp
- 2 Not available with PC or SH option

# Series 165

## Security Lighting – Ballast-In-Arm

50-400W HPS, 175-400W MH

### PRODUCT OVERVIEW



#### Features:

One piece die cast aluminum head and arm configuration for long-life stability and performance

Optical assembly utilizes dual latch mounting for quick, easy and secure installation

Electrical components mounted to power door for installation and maintenance convenience

Gray polyester powder coated housing finish is standard

Refractors available in open bottom acrylic, polycarbonate and glass

NEMA Label standard

Open board starter standard on HPS units

Suitable for -30°C MH / -40°C HPS

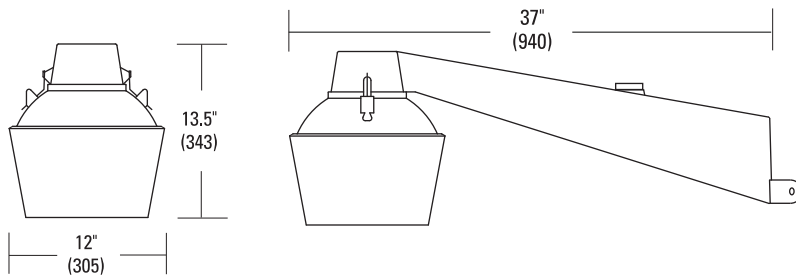
Complies with ANSI: C136.2, C136.10, C136.15, C136.6

6' of supply wire and hardware included

#### Applications:

- Parking lots
- Roadways
- Commercial environments
- Office communities

#### DIMENSIONS



Approx. Wt. = 35 lbs.

#### PREFERRED SELECTION CATALOG NUMBERS

165 25S XN 120 R5 BA LC PC

165 20S XN 120 R5 BA PJO LC

165 40S CA MT1 R5 BG LC PC

165 40M SC MT1 R5 BG LC PC

# Series 165

## Security Lighting – Ballast-In-Arm

50-400W HPS, 175-400W MH

### ORDERING INFORMATION

**Example:** 165 40S CA 120 R5 BA LC PC

Series	Wattage / Source	Ballast	Voltage	Distribution
<b>165</b> Ballast-in Arm	<b>05</b> 50W	<b>S</b> HPS	<b>120</b> 120V	<b>R3</b> Area Type III
	<b>07</b> 70W	<b>M</b> MH	<b>208</b> 208V	
	<b>10</b> 100W		<b>240</b> 240V	<b>R5</b> Area Type V
	<b>15</b> 150W		<b>277</b> 277V	
	<b>17</b> 175W		<b>480</b> 480V	
	<b>20</b> 200W		<b>MT1</b> Multi-tap Wired 120V	
<b>25</b> 250W		<b>MT2</b> Multi-tap Wired 240V		
<b>40</b> 400W		<b>XN</b> High Reactance / Lag Normal Power Factor	<b>MT7</b> Multi-tap Wired 277V	
		<b>XH</b> High Reactance / Lag High Power Factor		
		<b>CA</b> CWA Auto Reg		
		<b>CT</b> CWI		
		<b>SC</b> SCWA		
		<b>MR</b> Mag Reg		

Options
<p>Refer to the ballast matrix on page 119 for compatibility.</p> <p><b>BA</b> Open Bottom Acrylic</p> <p><b>BP</b> Open Bottom Polycarbonate</p> <p><b>BG</b> Open Bottom Glass<sup>1</sup></p>

#### Options

<p><u>Terminal Block</u></p> <p>(blank) Hard Wired (standard)</p> <p><b>T2</b> Wired to L1 &amp; L2 Positions</p> <p><b>T3</b> 3 Wire Operation (L1, N, L2 Position)<sup>2</sup></p> <p><u>Fusing</u><sup>3</sup></p> <p><b>SF</b> Single Fuse (120, 277V)</p> <p><b>DF</b> Double Fuse (208, 240, 480V)</p> <p><u>Photocontrol Receptacle</u></p> <p>(blank) NEMA Photocontrol Receptacle (standard)</p> <p><b>NR</b> No Photocontrol Receptacle<sup>4</sup></p>	<p><u>Starter</u></p> <p>(blank) Open Board (standard)</p> <p><b>EC</b> Encapsulated Starter<sup>5</sup></p> <p><u>Lamp</u></p> <p><b>LC</b> Lamp Included, Clear</p> <p><b>LD</b> Lamp Included, Deluxe/Coated</p> <p><u>Misc.</u></p> <p><b>PC</b> Photocontrol Included per Voltage Specified<sup>4</sup></p> <p><b>TL</b> Tool-less Entry</p> <p><b>SS</b> Stainless Steel Hardware</p>
---	---

- Notes:**
- 1 Not available in R4 distribution
  - 2 T3 option only available with 240, 480, DT2, DT4, MT2
  - 3 Not available with MT
  - 4 PC option not available with NR option
  - 5 Available in HPS only

# Accessories

## PRE - SUPPLY WIRE

	P S	Pre-wired to terminal block Supply wire included in carton
WIRE SIZE AND SPECIFICATION	A	#10 CU Solid B/W
	B	#10 CU Solid B/B
	C	#10 CU Solid B/B/W
	D	#10 CU Stranded B/W
	E	#10 CU Stranded B/B
	F	#10 CU Stranded B/B/W
	G	#12 CU Solid B/W
	H	#12 CU Solid B/B
	I	#12 CU Solid B/B/W
	J	#12 CU Stranded B/W
	K	#12 CU Stranded B/B
	L	#12 CU Stranded B/B/W
	W	#14 CU Solid B/W
	M	#14 CU Solid B/B
N	#14 CU Solid B/B/W	
LENGTH	4	4'
	5	5'
	6	6'
	8	8'
	0	10'

### Examples

SW5 = 5' of #14 CU. Solid, B/W wire supplied in carton

PW5 = 5' of #14 CU. Solid, B/W pre-wired to terminal block

PD0 = 10' of #10 CU. Stranded, B/W pre-wire to terminal block

## BALLAST MATRICES

### Nema Head 11

Watts	120	208	240	277	MT1	MT2	MT7
05S	RN	XN	XN	XN	XN	XN	XN
07S	RN	XN	XN	XN	XN	XN	XN
10S	RN	XN	XN	XN	XN	XN	XN
10M	XN	-	-	-	-	-	-
15S	RN	XN	XN	XN	XN	XN	XN
17M	CA	CA	CA	CA	CA	CA	CA
25S	XN	-	RN	-	-	-	-

### Nema Head Package Series 11PKG

Watts	120	208	240	277	MT1	MT2	MT7
05S	RN	XN	XN	XN	XN	XN	XN
07S	RN	XN	XN	XN	XN	XN	XN
10S	RN	XN	XN	XN	XN	XN	XN
10M	XN	-	-	XN	-	-	-
15S	RN	XN	XN	XN	XN	XN	XN
17M	CA	CA	CA	CA	CA	CA	CA
25S	XN	-	RN	-	-	-	-

### Series 11L Package

Watts	120	208	240	277	MT1	MT2	MT7	TT3
05S	RN	XN	XN	XN	XN	XN	XN	-
07S	RN	XN	XN	XN	XN	XN	XN	XN
10S	RN	XN	XN	XN	XN	XN	XN	XN
15S	RN	XN	XN	XN	XN	XN	XN	XN

### Dusk To Dawn

Watts	120	240	277	480	MT1	MT2	MT7	TT3
15S	RN,RH,CA,CT,MR	CA,CT,XN,XH,MR	XN,XH,CA	CA,MR	XN,XH,CA,CT	XN,XH,CA,CT	XN,XH,CA,CT	XN,XH
17M	CA	CA	CA	CA	CA	CA	CA	-
25S	XH,XN,CA,CT,MR	RN,RH,CA,CT,MR	CA,CT	CA,MR	CA,CT	CA,CT	CA,CT	CA
40S	CA,CT,XN,XH	RH,RN,CA,CT	CA,CT	CA	CA,CT	CA,CT	CA,CT	CA

### Series 165

Watts	120	208	240	277	480	MT1	MT2	MT7
05S	RH,RN	XH,XN	XH,XN	XH,XN	-	XH,XN	XN,XH	XN,XH
07S	RH,CA,CT,RN,MR	XH,CA,CT,XN	XH,CA,CT,MR,XN	XH,CA,XN	MR	XH,XN,CA	XH,XN,CA	XH,XN,CA
10S	CA,CT,MR,RH,RN	XH,CA,CT,XN	XH,CA,CT,MR,XN	CA,XH,XN	CA	CA,XN,XH	CA,XN,XH	CA,XN,XH
15S	RN,RH,CA,CT,MR	CA,CT,XN,XH	CA,CT,XN,XH,MR	XN,XH,CA	CA,MR	XN,XH,CA,CT	XN,XH,CA,CT	XN,XH,CA,CT
17M	CA	CA	CA	CA	CA	CA	CA	CA
25M	CA,CT,SC	CA,CT,SC	CA,CT,SC	CA,SC	CA,CT	CA,SC	CA,SC	CA,SC
20S	CA,CT,XN,XH,MR	CA,CT	CA,CT,RN,RH,MR	CA,CT,MR	CA,CT,MR	CT,CA	CT,CA	CT,CA
25S	XH,XN,CA,CT	CA,CT	RN,RH,CA,CT	CA,CT	CA	CA,CT	CA,CT	CA,CT
40S	CA,CT,XN,XH	CA,CT	RH,RN,CA,CT	CA,CT	CA	CA,CT	CA,CT	CA,CT
40M	CA	CA	CA	CA	CA	CA,SC	CA	CA

# NOTES