

Applications:

- Roadway & Area Lighting
- Security Lighting
- Municipal Lighting

Design Details

- Silicon Light Sensor
- Custom Designed Sealed Relay
- MOV Rated for 160 Joule/6500 Amp
- Neoprene Base Gasket has a continuous use temperature of 105°C
- Built In 2 – 5 second turn-off delay
- Cover Color Per ANSI
- Polypropylene Cover
- Brass Legs
- Not approved for use on LED fixtures

Regulatory Listings

- ANSI C136.10-1996 Compliant
- ROHS compliant

Operating Characteristics

- Voltage 105 to 530 VAC, 50/60Hz
- Load rating: 1000 watts, 1800 VA ballast
- -40 to +70°C ambient

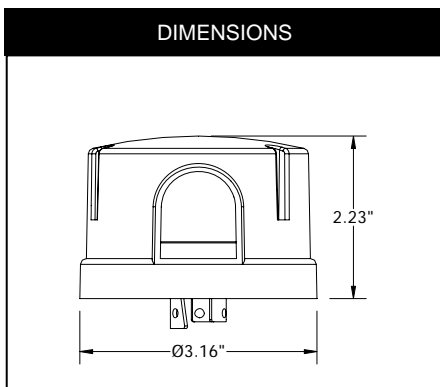


Six Year Warranty: The DX series controls are warranted to be free of manufacturing quality defects for a period of (6) years from the date of sale.

ORDERING INFORMATION

Example: DX124 12A J50

Series Code & Voltage	Turn-on Level (ftc)	Sensor	Cover Color (see chart)	Package Qty.
DX120 120 Volts (105-130)	1 1.2 - 3 ftc Turn-on	2 Silicon Sensor, Time Delay (2-5 seconds)	A ANSI Standard Color	J12 12 Units
DX124 120/240/277 Volts (105-305)				J50 50 Units
DX347 347 Volts (300-400)				
DX480 480 Volts (420-530)				



ANSI Color Codes	
120V	Gray
240V	Maroon
Multi-Volt	Dark Blue
347V	Green
480V	Yellow